



Installation instructions for PZ4AL-01876-00  
Under Run Protective Shield Engine Bay and Transmission Case

## TOYOTA RAV4



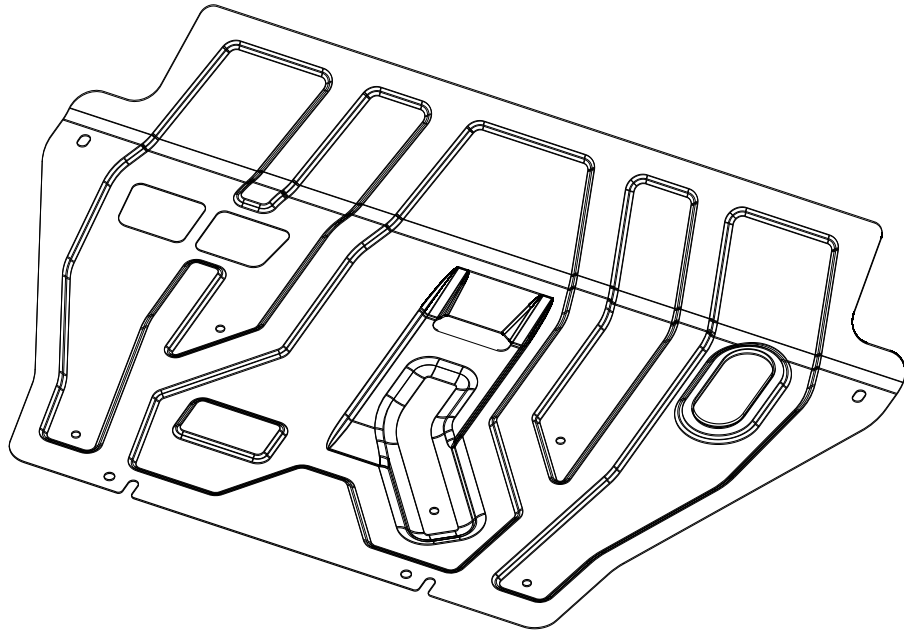
## LEXUS NX200



Model Year	RAV4 - 2006	RAV4 - 2012 - 2015 -	NX200 - 2014 -
Applicability:	ZSA35L-BWFXPW; ZSA30L-BWFXPW ZSA30L-BWFGPW; ZSA30L-BWXXPW ZSA30L-BWXGPW; ACA33L-ANPGKW	ZSA44L-ANFXK; ZSA44L-ANXXK ZSA44L-ANXGK; ZSA44L-ANYXKX ZSA44L-ANYMKX; ALA49L-ANTGXX ASA44L-ANTGKX; ASA44L-ANTMKX ALA49L-ANTMXX; ZSA42L-ANYXKX ZSA44L-ANFMKX; ZSA42L-ANYMKX ZSA42L-ANFXKX	ZGZ15L-AWXLPW
Part Number			PZ4AL-01876-00
 Weight			9,4 kg
 Installation Time			30 min
Manual reference number			AIM 002 082-0

PZ4AL-01876-00

**A**



PZ4AL-08760-60

**B1**



x2 M10x20

**B2**



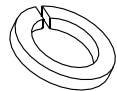
x2 M10x100

**C1**



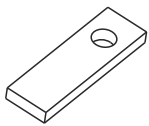
x4 Ø 10

**C2**



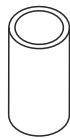
x4 Ø 10G

**D**



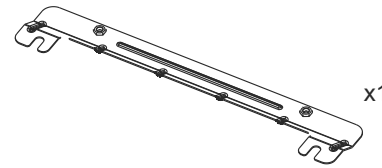
x2

**E**

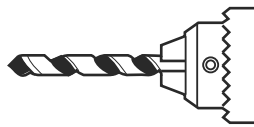
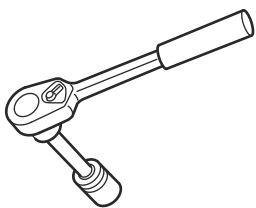


x2

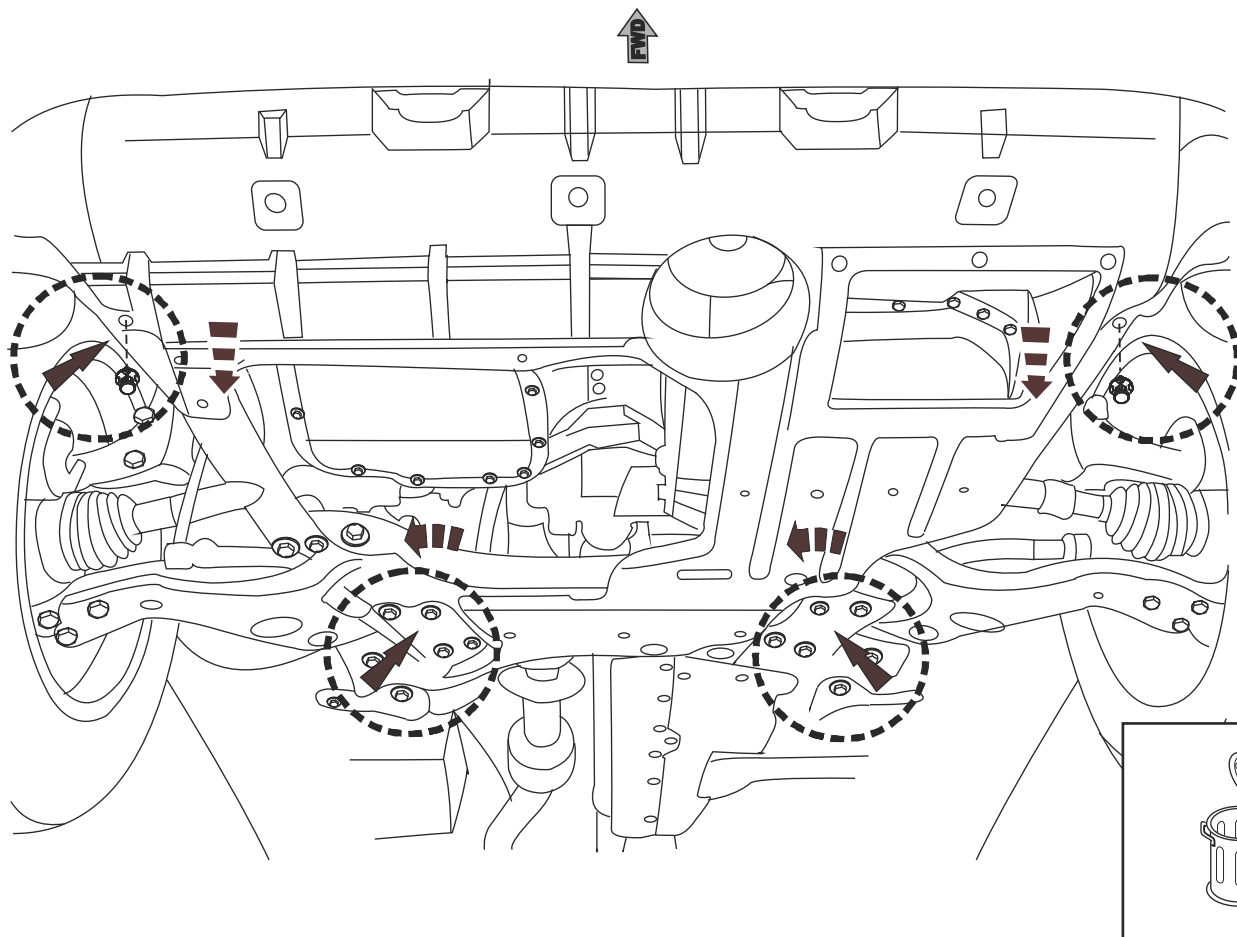
**F**



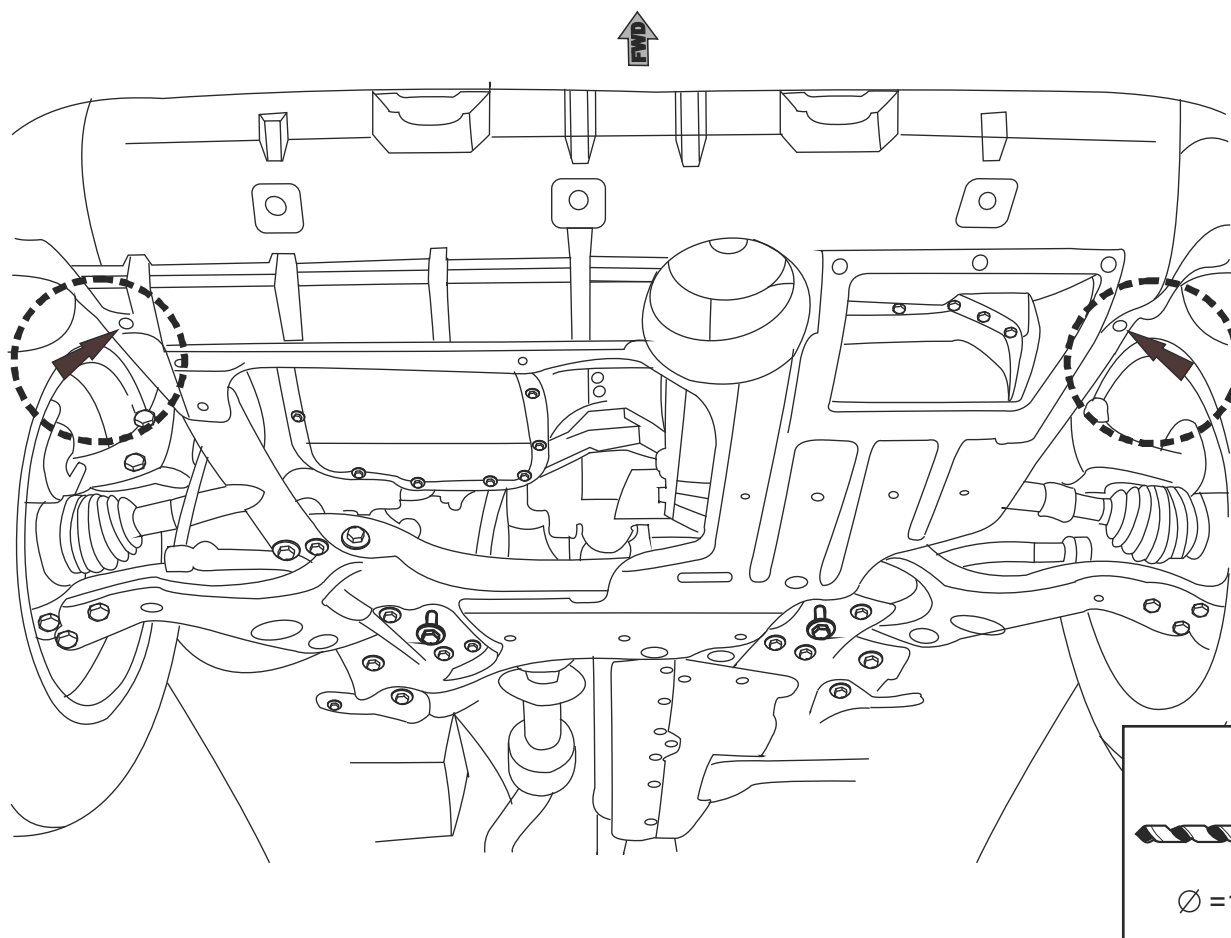
x1



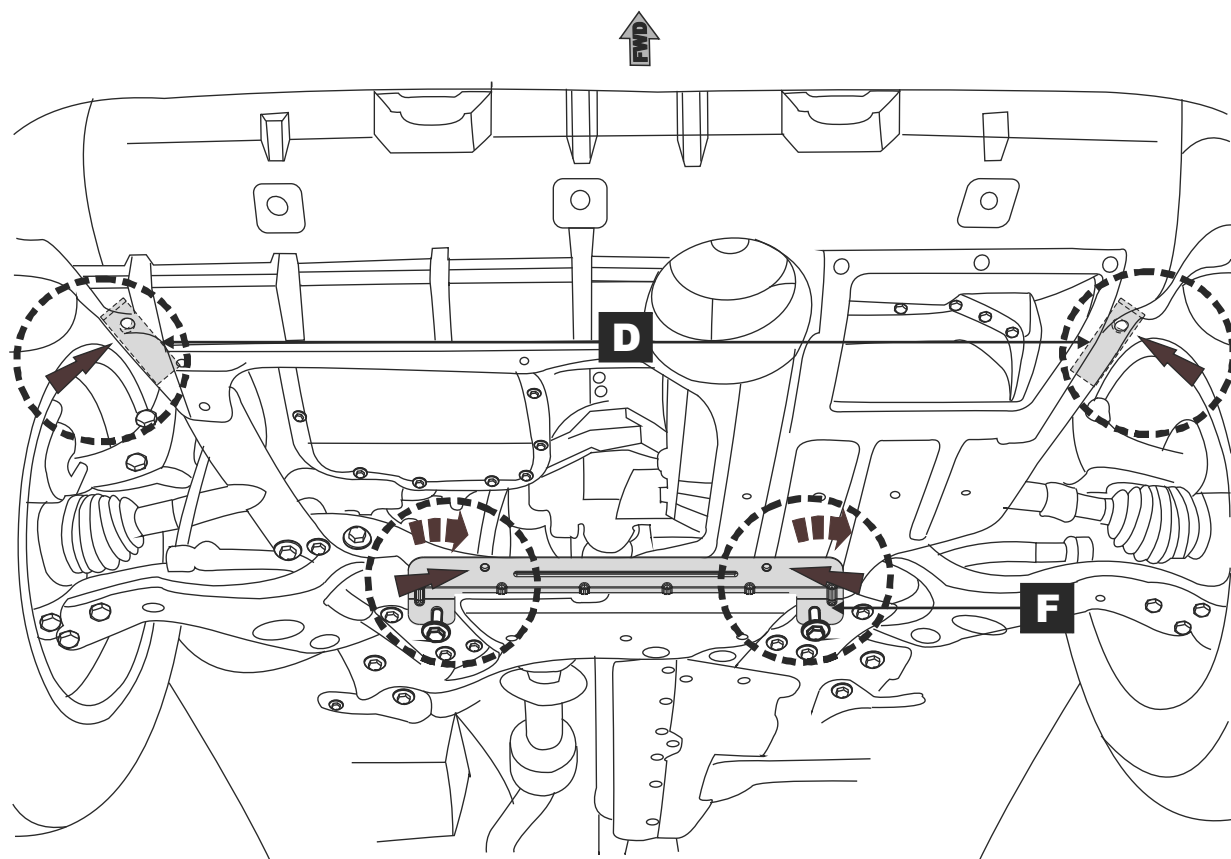
1



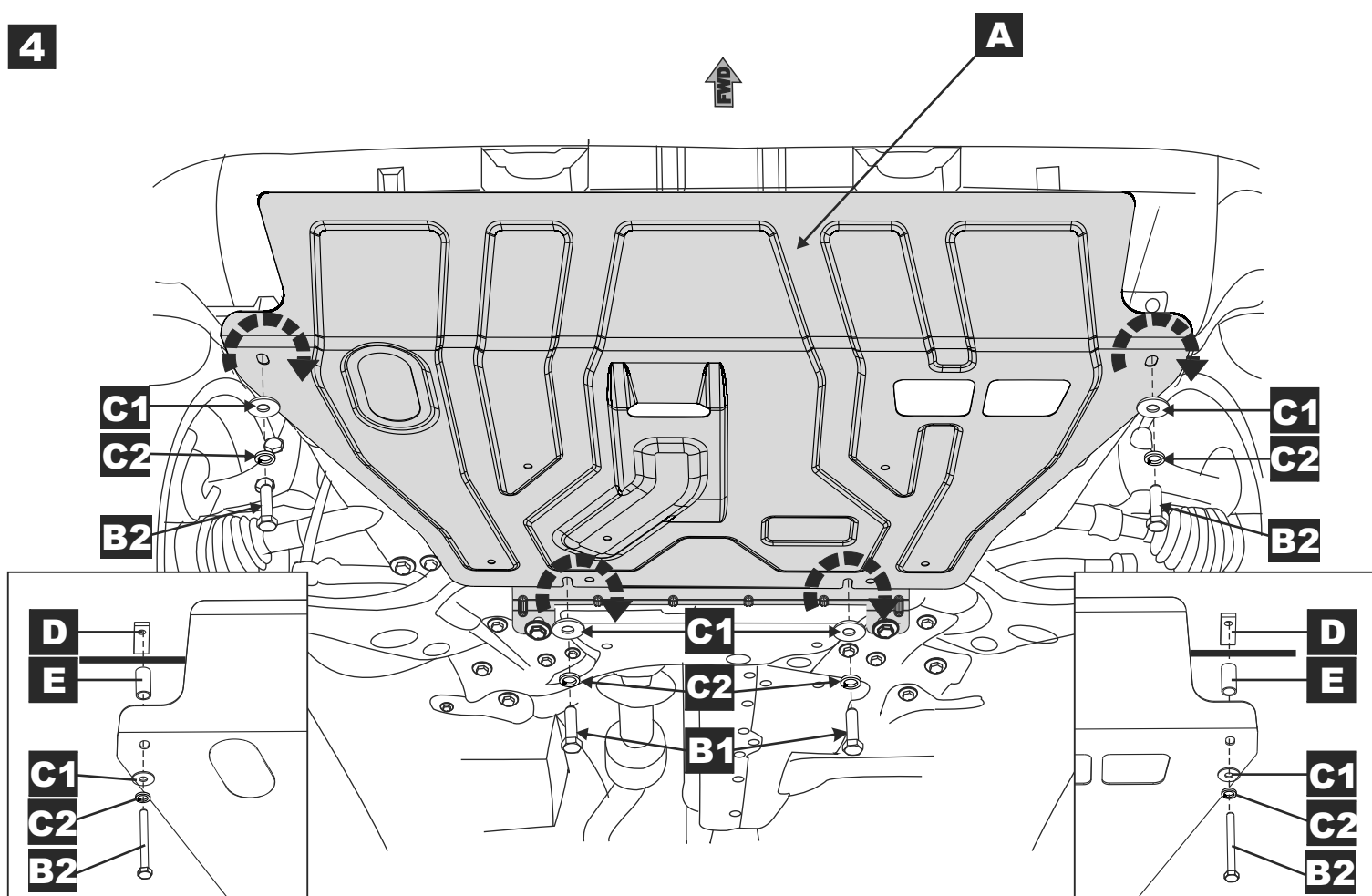
2



**3**



**4**



5

